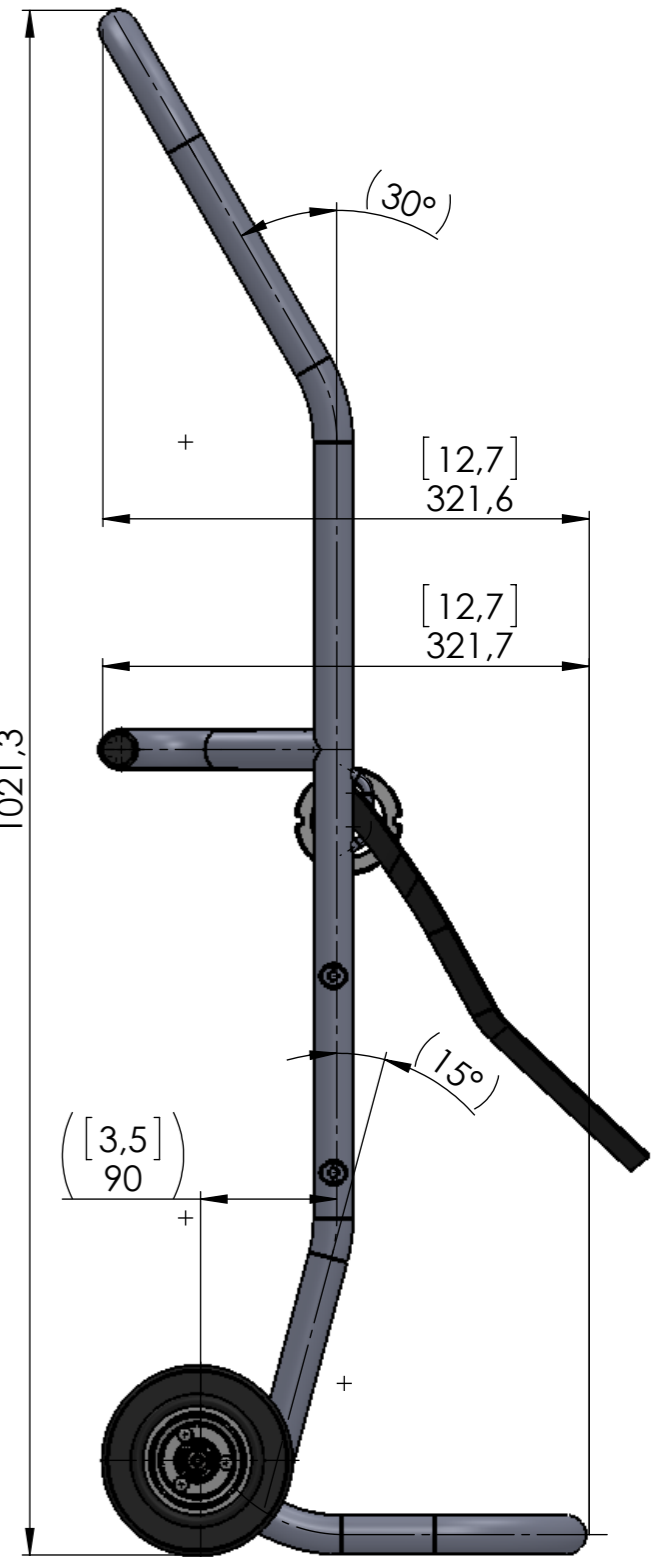


[40,2]  
1021,3



**CASELINER®**

Nut regulator M50x1,5  
is loosely attached to the product

Matice regulátoru M50x1,5  
se k výrobku volně přikládá

THE INFORMATION CONTAINED IN THIS DRAWING IS THE SOLE PROPERTY OF CASELINER, s.r.o..  
ANY REPRODUCTION IN PART OR AS A WHOLE WITHOUT THE WRITTEN PERMISSION OF CASELINER, s.r.o. IS PROHIBITED.

**CASELINER s.r.o.**

title - stock size:		dimension standard:	material standard:	part number:	UNLESS OTHERWISE SPECIFIED: DIMENSIONS ARE IN MILLIMETERS
scale	drawn:	P. Hnaňuk	surface finish:		TOLERANCES: ISO 2768-1 - m
DO NOT SCALE DRAWING	date:	19.9.2014	weight:	6.57 kg 14.49 lb	old drw.:
	approved by:		projection:		from day:
	date:		location:	D:\Projekty SolidWorks\Caseliner\SW projekty\Bottle Trolley Dino - 0020521004\	

**CASELINER s.r.o.**  
Nad Jezerem 568  
252 42, Vestec  
Czech Republic

title:  
**0020521004 - Bottle Trolley Dino**

dwg number:  
**0020521004-0**

sheet  
3  
/  
3