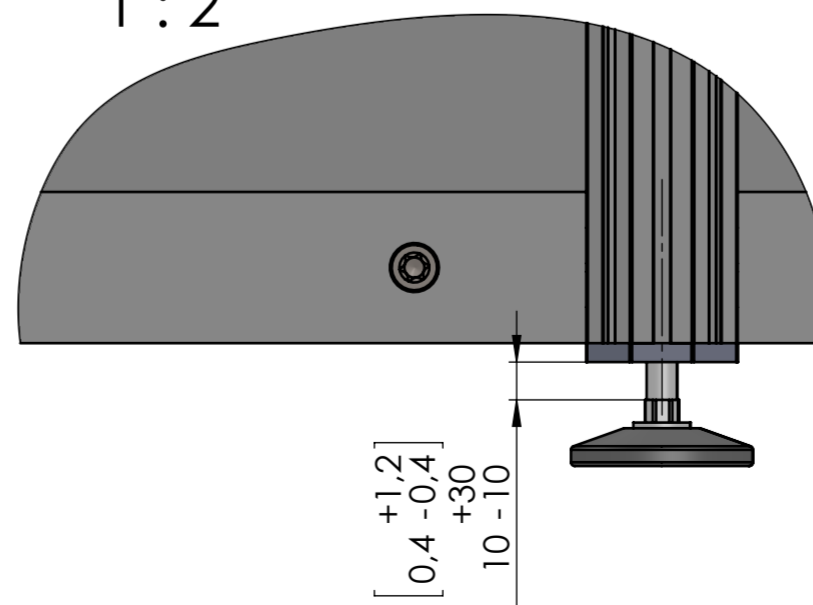


CASELINER®

DETAIL A
1:2



QUAN.	DESCRIPTION	PART CODE	WEIGHT	ANNOTATION	POS
2	MAGSEAM UPRIGHT FLAT	0100121099	1.31 kg		13
4	MAGSEAM END PROFILE	0100121096	2.58 kg		12
4	MAGSEAM F/H T SET	0100121203	18.63 kg		11
2	MAGSEAM FULL END R SET	0100121302	9.77 kg		10
2	MAGSEAM FULL END L SET	0100121301	9.77 kg		9
1	MAGSEAM THIRD SET R	0100121034	4.41 kg		8
1	MAGSEAM THIRD SET L	0100121032	4.48 kg		7
1	MAGSEAM CORNER	0100121090	3.52 kg		6
1	MAGSEAM FULL CORNER SET	0100121100	10.84 kg		5
2	MAGSEAM FULL CORNER SET	0100121100	10.84 kg		4
1	MAGSEAM FULL SET	0100121101	8.49 kg		3
10	MAGSEAM FULL SET	0100121101	9.26 kg		2
2	GATEWAY N	0100121193	1.02 kg		1

THE INFORMATION CONTAINED IN THIS DRAWING IS THE SOLE PROPERTY OF CASELINER, s.r.o. ANY REPRODUCTION IN PART OR AS A WHOLE WITHOUT THE WRITTEN PERMISSION OF CASELINER, s.r.o. IS PROHIBITED. **CASELINER s.r.o.**

title - stock size:		dimension standard:	material standard:	part number:	UNLESS OTHERWISE SPECIFIED: DIMENSIONS ARE IN MILLIMETERS TOLERANCES: ISO 2768-1 - m	
scale	drawn:	date:	surface finish:	weight:	605.28 lb	old drw.:
1:35	approved by:	6.6. 2019	projection:	274.55 kg		from day:
	date:		location:	H:\ZALOHA DELL - SW Projekty\PROJEKTY SolidWorks\Caseliner\SW projekty\Parovany - z6\hny		
CASELINER s.r.o. Nad Jezerem 568 252 42, Vestec Czech Republic				title: MAGSEAM PROJECT N2		sheet 1 / 2
				dwg number: 0100121004		